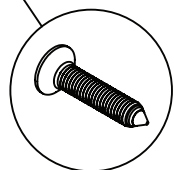
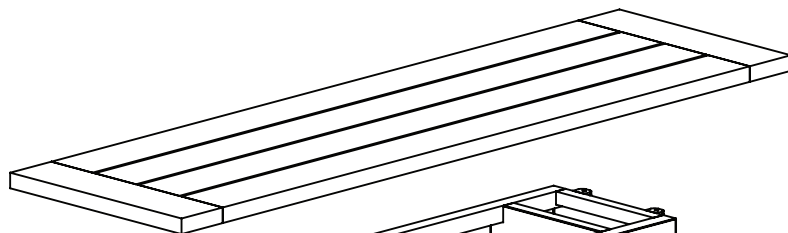
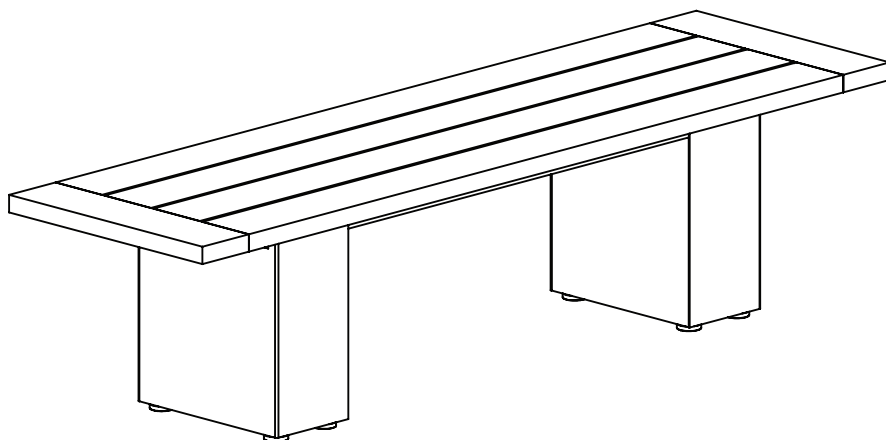


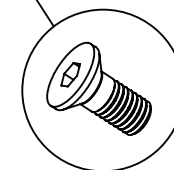
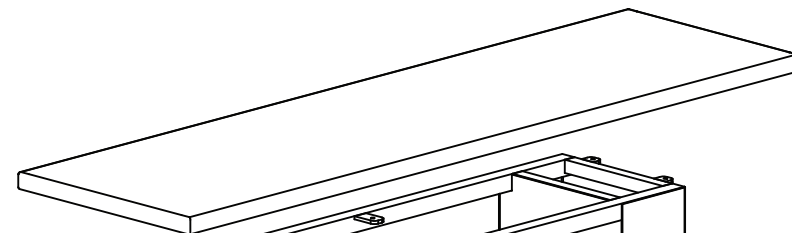
Teak



DOBLEBENCH160 = 6X
DOBLEBENCH240 = 8X



BATYLINE



DOBLEBENCH160 = 6X
DOBLEBENCH240 = 8X

